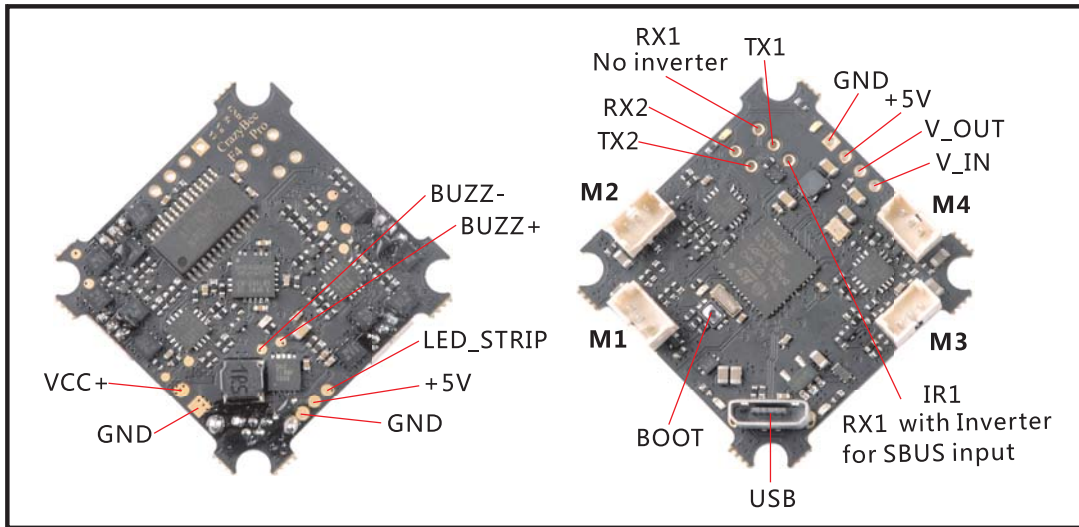


Crazybee F4PRO Connection diagram



1. Connect your Serial-based receiver to the Crazybee F4 PRO flight controller according to the following connection diagram table

	Frsky/Futaba	Flysky/Spektrum/TBS
Crazybee F4 PRO	XM/XM+/FHSS/FD800 RX	Fli10/Flit10/Fli14/SP09X RX
R1(No inverter)		CRSF/IBUS/DSM2/DSMX
IR1(With inverter)	SBUS	
+5V	+5V	+5V
GND	GND	GND
TX2	Smart audio control (VTX support)	Smart audio control (VTX support)
RX2		

2. Enable Serial RX for UART1 and choose the correct serial Receiver provider based on the protocol of your receiver. Connect the Smart audio to the TX2 pad and enable Smartaudio for UART2 to active Smart audio function

Identifier	Configuration/MSP	Serial Rx	Telemetry Output	Sensor Input	Peripherals
USB VCP	<input checked="" type="checkbox"/> 115200	<input type="checkbox"/>	Disabled AUTO	Disabled AUTO	Disabled AUTO
UART1	<input type="checkbox"/> 115200	<input checked="" type="checkbox"/>	Disabled AUTO	Disabled AUTO	Disabled AUTO
UART2	<input type="checkbox"/> 115200	<input type="checkbox"/>	Disabled AUTO	Disabled AUTO	TBS SmartAud AUTO

