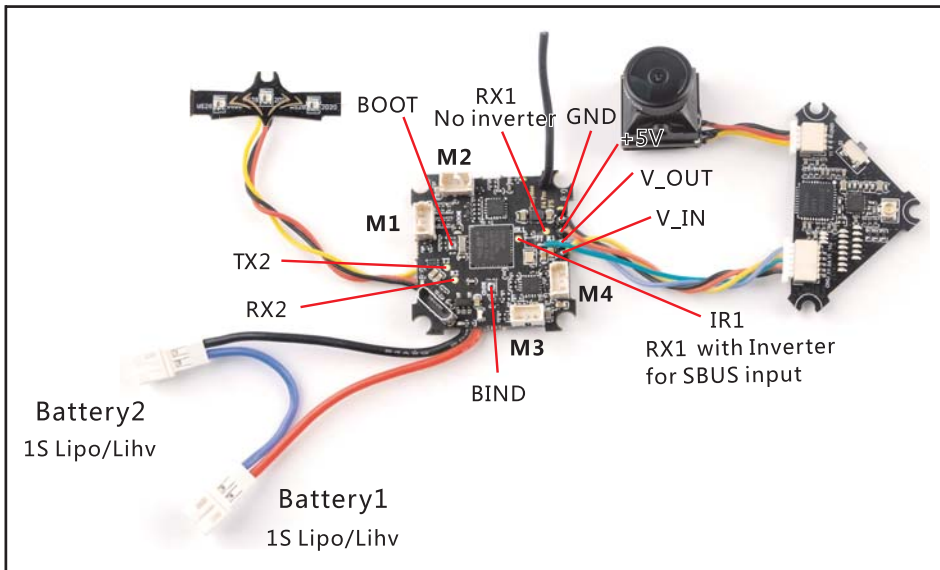
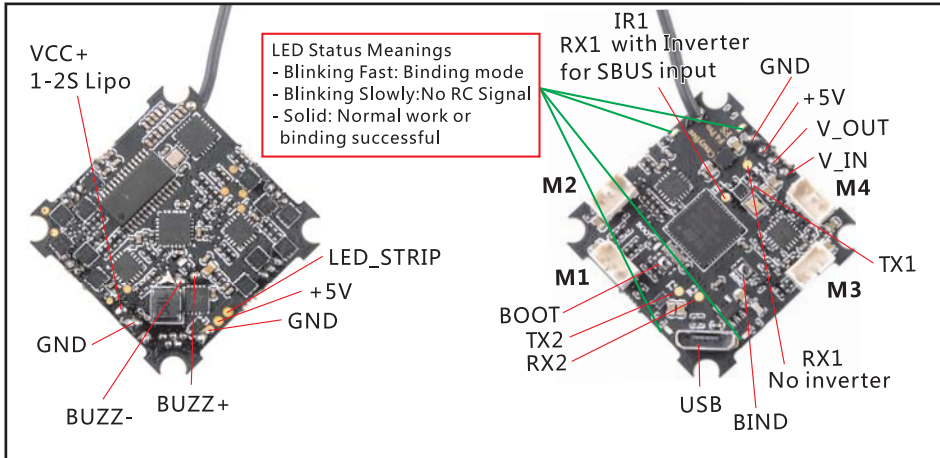


Crazybee F4FS PRO Connection Diagram



Identifier	Configuration/MSP	Serial Rx	Telemetry Output	Sensor Input	Peripherals
USB VCP	<input checked="" type="checkbox"/> 115200	<input type="checkbox"/>	Disabled AUTO	Disabled AUTO	Disabled AUTO
UART1	<input type="checkbox"/> 115200	<input type="checkbox"/>	Disabled AUTO	Disabled AUTO	TBS SmartAud AUTO
UART2	<input type="checkbox"/> 115200	<input type="checkbox"/>	Disabled AUTO	Disabled AUTO	Disabled AUTO

Receiver

SPI RX support | Receiver Mode

Note: The SPI RX provider will only work if the required hardware is on board or connected to an SPI bus.

A7105_FLYSKY_2A | **Flysky AFHDS-2A**

Receiver

SPI RX support | Receiver Mode

Note: The SPI RX provider will only work if the required hardware is on board or connected to an SPI bus.

A7105_FLYSKY | **Flysky AFHDS**

Binding procedure:

1. Press and holding the bind button and then connect the USB to computer
2. The 4 LED will blinking fast
3. Make your Flysky transmitter into binding mode, the 4 LED will getting to be solid, this indicates binding successfully